

广力浮动油封用品质与服务赢得国内与国际市场

Guangli floating seal win the domestic and international markets with excellent quality and good service.

GB GENUINE PARTS
FLOATING OIL SEAL
GUANGLI

浙江广力工程机械有限公司

ZHEJIANG GUANGLI CONSTRUCTION MACHINERY CO.,LTD

专业研发生产工程机械浮动油封



GB GUANGLI 浙江广力工程机械有限公司

地址：中国·浙江龙泉市回归工程广达街91号

电话：86-578-7699688

国内销售部：18967087299

国际销售部：+86-18967087277

网址：<http://www.glfdyf.com>

邮箱：lq_guangli@163.com

Skype: Kelly. wu64

邮编：323700

ZHEJIANG GUANGLI CONSTRUCTION MACHINERY CO.,LTD

Address: No. 91 Guangda Street, "Returning Engineering" Longquan City,

Zhejiang Province, China.

Tell: 86-578-7699688

Fax: 86-578-7699699

Website: <http://www.glfdyf.com>

E-mail: lq_guangli@163.com

WhatsApp: +86-18967087277

Skype: Kelly. wu64

Postcode: 323700



中国·浙江

CHINA · ZHEJINANG



公司简介

COMPANY INTRODUCTION

浙江广力工程机械有限公司位于“青瓷之都，宝剑之乡”的浙江省龙泉市，是一家专业从事研发、生产、销售履带式工程机械浮动油封的国家高新技术企业。

公司主要生产高铬钼合金浮动油封，本产品使用的合金铸铁材料具有高耐磨、高硬度、耐腐蚀的特性，结合公司“千锤百炼、力求臻善”的经营理念，公司引入多套先进的生产线与检测设备，实施先进管理体系，完善设计开发、评审、验证流程，严格按照ISO9000质量管理体系控制制造过程的每一个细节，力求完美。当前公司产品各项性能指标均高于国家JB/T8293.1-1999、企标Q/BGB001-2013标准，并能替代进口产品，真正做到物美价廉。

目前，公司的产品(产品规格：内径38毫米——内径458毫米)已为国内主机厂、专业生产厂和国外各型履带式工程机械进行配套(挖掘机、推土机、矿山机械等)，并批量出口加拿大、巴西、俄罗斯、沙特阿拉伯、马来西亚、印度、泰国、越南、老挝、印尼、土耳其等国家。同时，本公司还可为客户提供设计、生产加工 (ODM) 和图纸来样加工 (OEM) 服务。

本着“广纳厚德、力兴科技”的企业发展的理念，我们将以雄厚的技术实力，先进的管理理念和高度的敬业精神，为广大客户提供优质的产品和服务。

广力竭诚欢迎国内外新老客户前来咨询洽谈，共谋发展！

Zhejiang Guangli Construction Machinery Co., LTD is located in Longquan City Zhejiang Province, which is famous as the capital of sword and celadon. Our company is a national high-tech enterprise that professional engaged in the development, production and sales of floating seals for construction machinery.

The company mainly produces high-chromium-molybdenum alloy floating seal. The alloy cast materials used in these products have some characteristics like high wear-resistance, high hardness, corrosion resistant properties. Combined with the business philosophy “thoroughly tempered, and strive to be better”, our company introduced several sets of advanced production lines and testing equipment, implemented advanced management system, improved the design, evaluation, verification process, and strictly according with the ISO9000 quality management system to control every detail of the manufacturing process. We are strive to be perfect. At present, the performance indicators of our products are higher than the national JB/T8293.1-1999, enterprise standard Q/BGB001-2013, and our products can replace imported products, they are inexpensive but in excellent quality.

In the current, our company's products with inner diameter in 38mm to 458mm have been supported for domestic OEMs, specialized in the production of various types of plants and abroad crawler construction machinery, such as excavator, bulldozer, mining machinery and so on. We have bulk exported our products to Canada, Brazil, Russia, Mongolia, Saudi Arabia, Malaysia, India, Thailand, Vietnam, Laos, Indonesia, Turkey and other countries. Meanwhile, our company also provide customers with design, production, processing (ODM) and drawings sample processing (OEM) services.

In line with the concept of enterprise “Recruitment of thick, Prosperity of science and technology.” We have already be ready to provide the high quality products and perfect services with our strong technical strength, advanced management concept, and high professional dedication.

Esteemed customers are warmly welcomed to further cooperation.



SHANDONG FURUNDE HUANNENG

信誉至上 求实创新

Reputation first Realistic Innovation



浙江广力工程机械有限公司
ZHEJIANG GUANGLI CONSTRUCTION MACHINERY CO., LTD.

广纳厚德 力兴科技

企业资质
ENTERPRISE QUALIFICATION

诚信 卓越

拼搏 创新



ZHEJIANG GUANGLI CONSTRUCTION MACHINERY CO., LTD.
ZHEJIANG GUANGLI CONSTRUCTION MACHINERY CO., LTD.
ZHEJIANG GUANGLI CONSTRUCTION MACHINERY CO., LTD.
ZHEJIANG GUANGLI CONSTRUCTION MACHINERY CO., LTD.

产品质量的保证
ENTERPRISE QUALIFICATION

信誉至上 求实创新 Reputation first Realistic Innovation



浙江广力工程机械有限公司
ZHEJIANG GUANGLI CONSTRUCTION MACHINERY CO., LTD.

广纳厚德 力兴科技

检测中心
Workshop



三坐标
Coordinate Measuring Maching



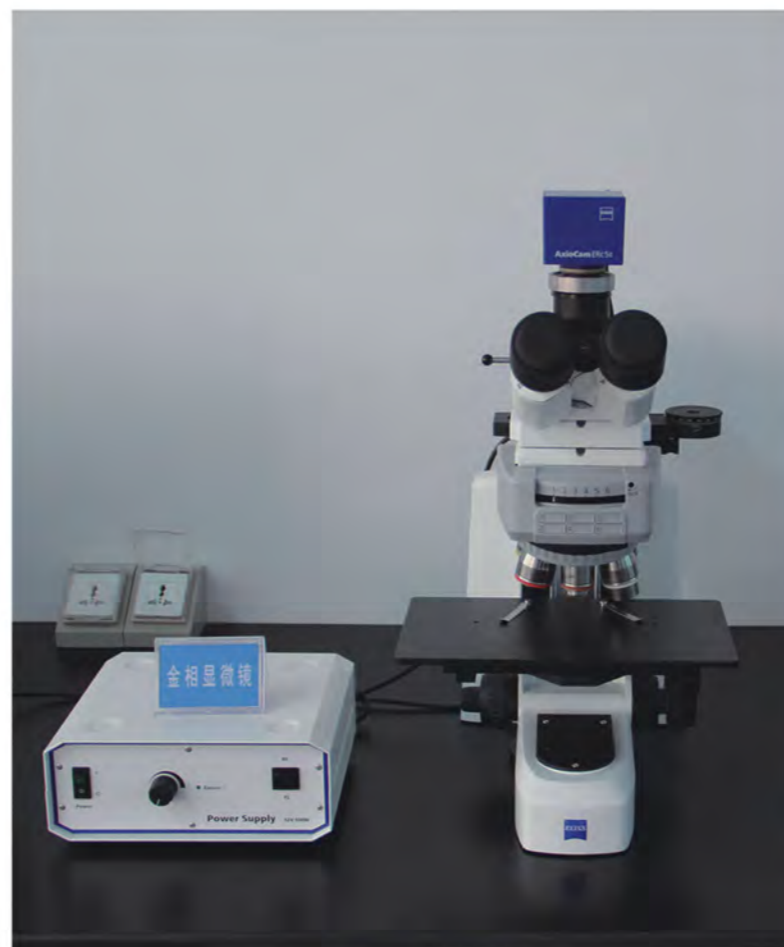
洛式硬度计
Rockwell hardness tester



多通道直读光谱仪
Multichannel Direct-reading Spectrometer



维式硬度计
Vickers hardness tester



金相显微镜
Metallurgical Microscope



浮动油封-动态测试
Dynamic test

ZHEJIANG GUANGLI CONSTRUCTION MACHINERY CO., LTD.
ZHEJIANG GUANGLI CONSTRUCTION MACHINERY CO., LTD.
ZHEJIANG GUANGLI CONSTRUCTION MACHINERY CO., LTD.

信誉至上 求实创新 Reputation first Realistic Innovation



浙江广力工程机械有限公司
ZHEJIANG GUANGLI CONSTRUCTION MACHINERY CO., LTD.

浮动油封 厂力精品

配套专用油封

Matching special floating seal

推土机
Bulldozer

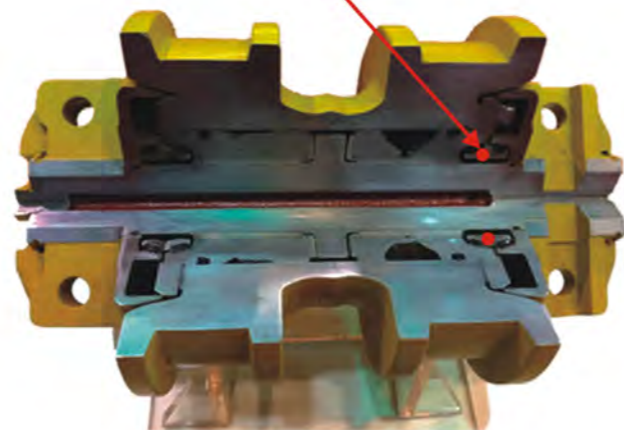
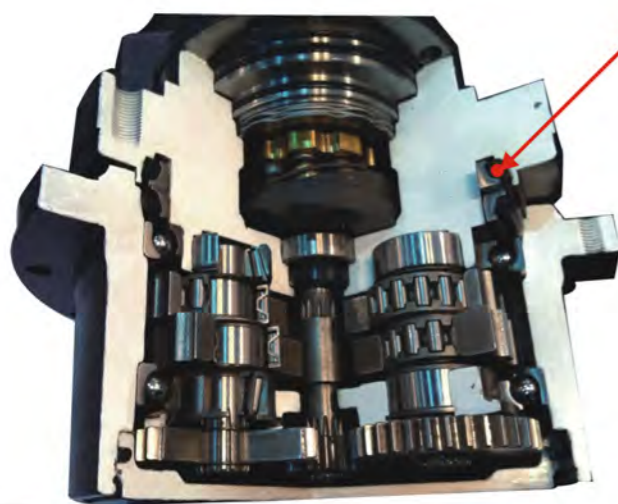


挖掘机
Excavator



行走牙箱总成剖视图
Gearbox assembly section view

浮动油封
Floating seal

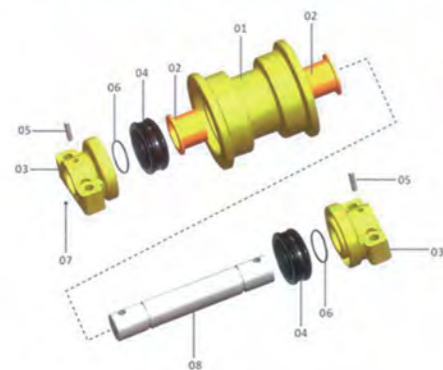


ZHEJIANG GUANGLI CONSTRUCTION MACHINERY CO., LTD.
ZHEJIANG GUANGLI CONSTRUCTION MACHINERY CO., LTD.
ZHEJIANG GUANGLI CONSTRUCTION MACHINERY CO., LTD.

信誉至上 求实创新 Reputation first Realistic Innovation

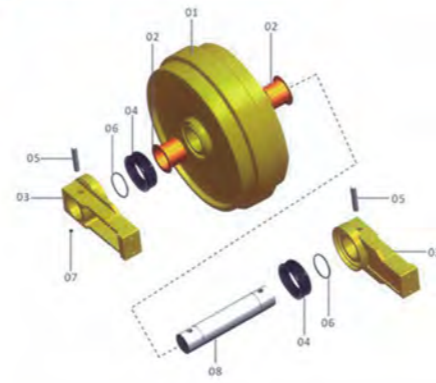


T 支重轮解剖图
RACK ROLLER ANATOMY



编号	名称
01	支轮体
02	轴瓦
03	侧盖
04	油封
05	固定销
06	O形圈
07	油咀
08	主轴

F 引导轮解剖图
FRONT IDLER ANATOMY



编号	名称
01	引导轮
02	轴瓦
03	引支架
04	油封
05	固定销
06	O形圈
07	油咀
08	主轴

浮动油封

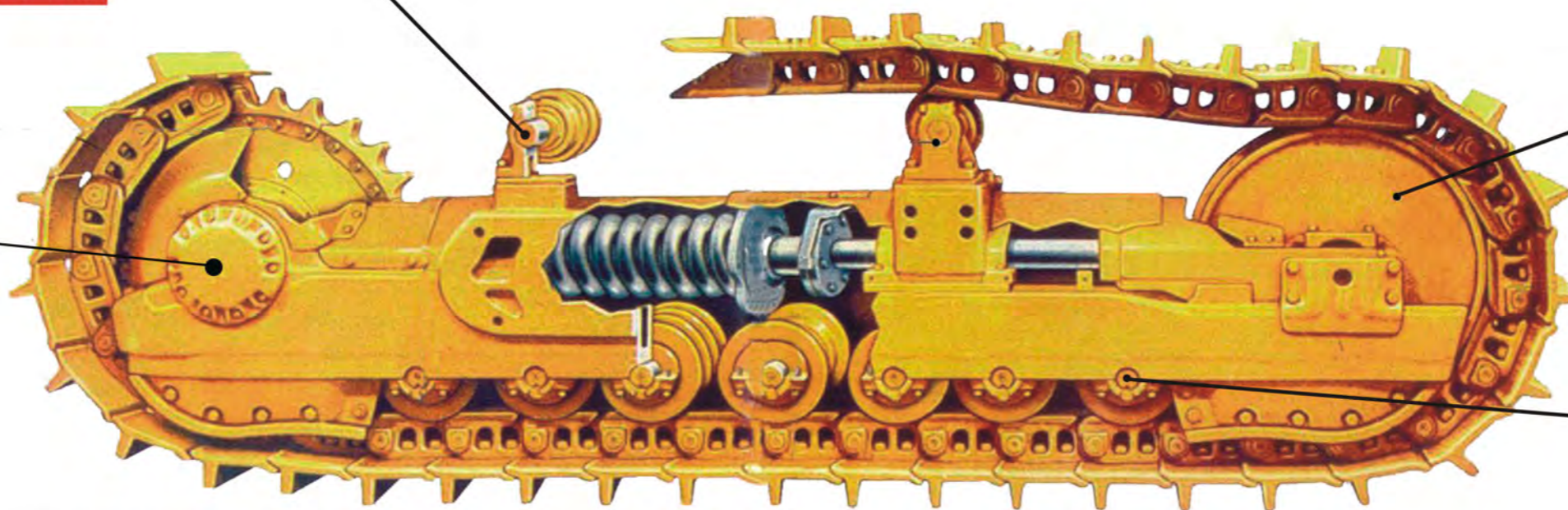
FLOATING SEAL



托链轮
Carrier roller



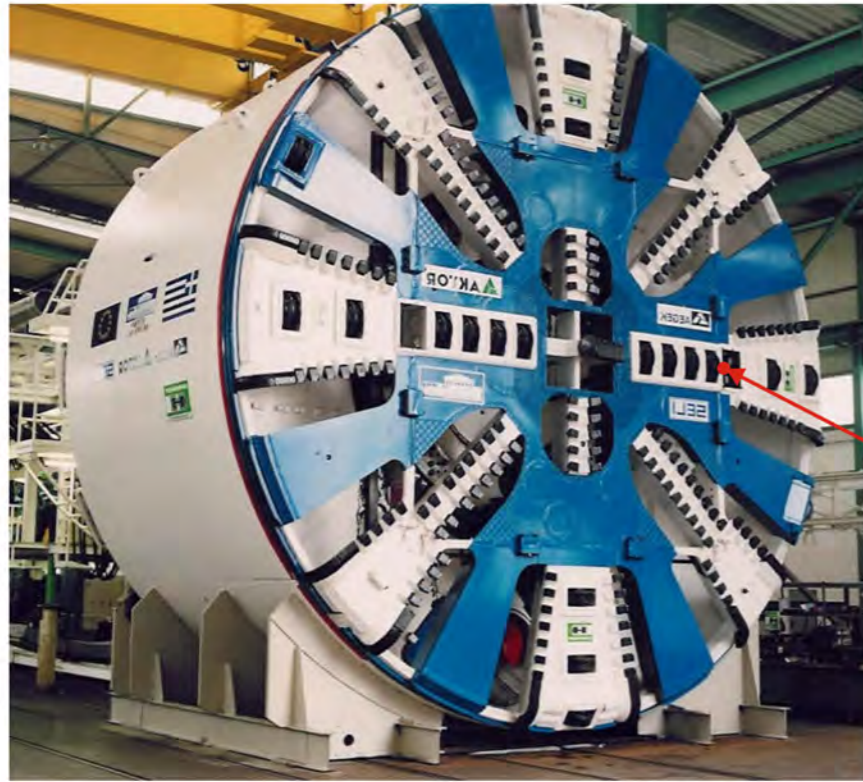
行走牙箱总成
Gearbox assembly



引导轮
Front idler



支重轮
Track roller



浮动油封
Floating seal

盾构机
Shield machine

浮动油封
Floating seal



采煤机1
Coal mining machine



ZHEJIANG GUANGLI CONSTRUCTION MACHINERY CO., LTD.
ZHEJIANG GUANGLI CONSTRUCTION MACHINERY CO., LTD.
ZHEJIANG GUANGLI CONSTRUCTION MACHINERY CO., LTD.

信誉至上 求实创新 Reputation first Realistic Innovation



产品简介

Product Introduction

一、浮动密封环 ring, seal

指轴向截面呈马鞍形，由铁合金材料制成的浮动式的端面密封环(以下简称浮封环)。浮封环需成对使用，一个随旋转件旋转，另一个相对静止，两个浮封环互相紧贴的端面称为密封面，也称为亮带。见图1

二、O形圈 O-ring

指轴向截面为圆形而截面直径较粗的橡胶环。它与浮封环配用，受轴向压缩后产生变形而储有弹性能量，促使两个浮封环的密封面产生压紧力。

三、浮封座 collar

指含有一个内锥面、起到托住O形圈与浮封环并使两者在空间保持一定位置的座腔。它分居在两个不同部位的零件上，用轴向装配尺寸保证浮封环的密封面产生压紧力。

四、浮动油封 floating seal

指浮封环与O形圈两者匹配后的组合件，也称浮封副。

1、ring, seal

Refers to the axial section was saddle, the end face of the floating material from ferroalloy sealing ring (hereinafter referred to as floating seal ring). Floating seal ring should be used in pairs, with the rotation of a rotating member, and the other relatively static, the two end faces of the floating seal ring close to each other is referred to as the sealing surface, also known as the bright band. Figure 1

2、O-ring

Refers to a circular cross section and the cross-sectional diameter of the rubber ring axially thicker. It is equipped with a floating seal ring, resulting in deformation under axial compression and elastic energy storage has prompted two floating seal ring sealing surface compaction force.

3、collar

That contains an inner cone, play and hold the O-ring seal ring and the two floating in space to maintain a certain position of the seat cavity. It is separated in two different parts of parts, assembly dimensions ensure axial sealing surface of the floating seal ring generates clamping force.

4、floating seal

Refers to the floating seal assembly ring and O-ring after two matches, also called a floating seal deputy.

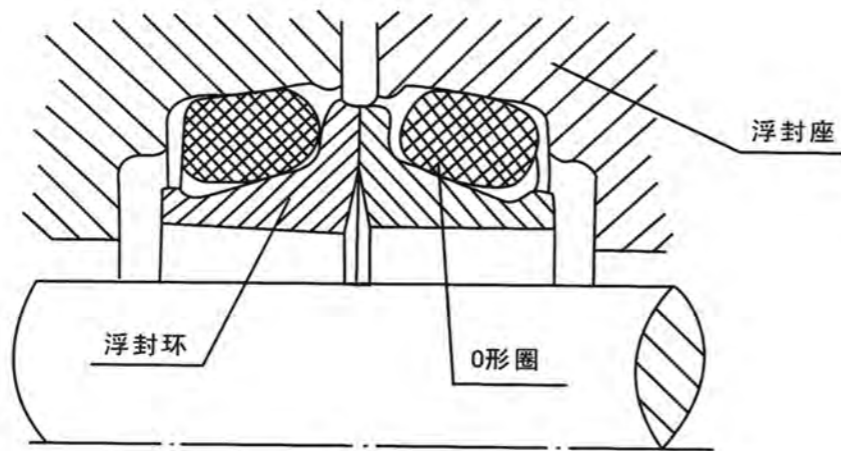


图1

浮封环、O型圈和浮封座的基本形状

The basic shape of the floating seal rings, O-rings and floating seal seat

浮封环、O型圈和浮封座的组装结构见图1，基本形状见图2、图3和图4。

Floating seal ring, O-ring assembly structure and the floating seal housing shown in Figure 1, the basic shape shown in Figure 2, Figure 3 and Figure 4.

浮封环、O型圈和浮封座的尺寸系列

Floating seal ring, O-rings and floating seal seat size series

浮封环、O型圈和浮封座的主要尺寸及系列，见附表。

Floating seal ring, the main dimensions and series O-ring seal and floating seal seat, see attached list.

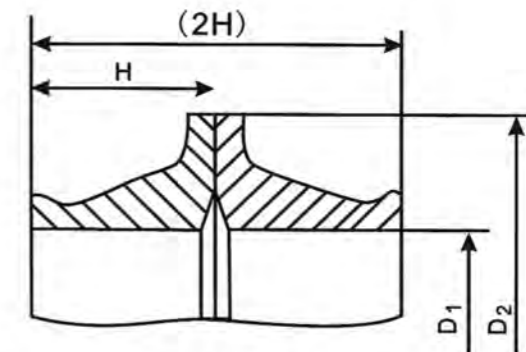


图2 浮封环
Ring

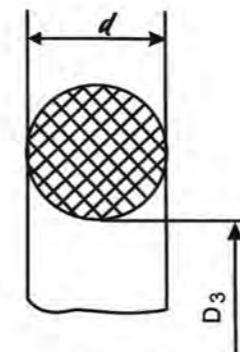


图3 O形圈
O-Ring

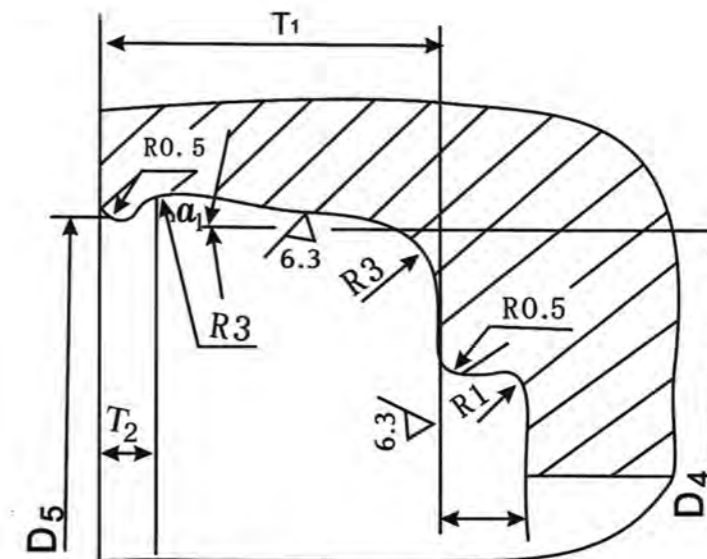
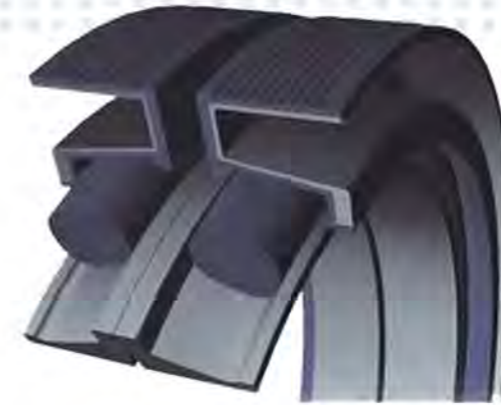
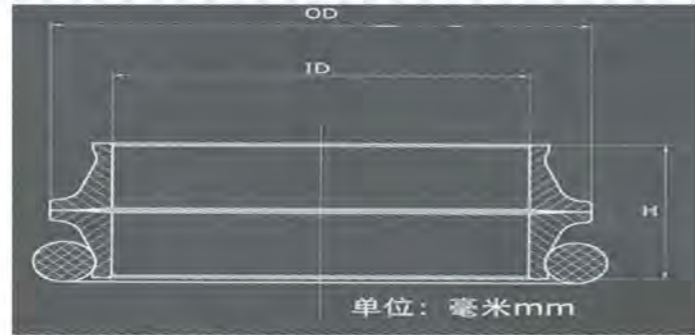


图4 浮封座
Collar



型号表

Model List



ZHEJIANG GUANGLI CONSTRUCTION MACHINERY CO., LTD.
ZHEJIANG GUANGLI CONSTRUCTION MACHINERY CO., LTD.
ZHEJIANG GUANGLI CONSTRUCTION MACHINERY CO., LTD.
ZHEJIANG GUANGLI CONSTRUCTION MACHINERY CO., LTD.

序号	型号	内径	外径	高度
1	SG380	38	50.6	21.2
2	SG430	43	58	24
3	SG450	45	58	21
4	SG460	46	59	20
5	SG480	48	62.2	25.4
6	SG510	51	65	27
7	SG540	54	68	24.4
8	SG550	55.5	70	22
9	SG560	56	70	25
10	SG578	57.8	75.5	26.4
11	SG580	58	77.4	33
12	SG600	60	74	20.6
13	SG610	61	73	27
14	SG635B	63.5	82.5	32.3
15	SG635A	63.5	80	26
16	SG640	64	78	25
17	SG660	66	85	28
18	SG670	67	80	20
19	SG675	67.5	86.5	31.8
20	SG680	68.8	84	25.2
21	SG690B	69	90	29
22	SG690A	69	84	24
23	SG710B	71	84	20
24	SG710A	71.7	90	29
25	SG720	72	89	23.8
26	SG730	73	92	32.5
27	SG733	73.3	88.3	20
28	SG737	73.7	86.8	21.5
29	SG740	74.5	74	25
30	SG760	76	94	29
31	SG770	77	93.3	29
32	SG775B	77.5	92	16
33	SG775A	77.5	88.5	30
34	SG800B	80	100	30
35	SG800A	81	98	28
36	SG810	80	100	29
37	SG820	82	98	22
38	SG830	83	102	28
39	SG888	88	108	24
40	SG930	74.6	93	30
41	SG935	93.5	107	22
42	SG950B	95	114	32

序号	型号	内径	外径	高度
43	SG950A	95	111	24
44	SG1017	101.7	120.2	29.4
45	SG1020	102	122	33.4
46	SG1030	103	117	20
47	SG1040B	104	125	28
48	SG1040A	104	117	21.4
49	SG1042	104.2	121	23.4
50	SG1070	107	125	24
51	SG1090B	109	131.5	31
52	SG1090A	109	132.2	32
53	SG109	92	109	22
54	SG1100	91	110	32
55	SG1100B	110	128	32
56	SG1100A	110	127	31
57	SG1110	111	133	32
58	SG1145	114.5	129	21
59	SG1150	115	137	31
60	SG1170	117	140	29
61	SG1180	118	140	29.8
62	SG1200C	120	139	31.8
63	SG1200B	120	142	38
64	SG1200A	100	120	32
65	SG1240	124	141.2	22
66	SG1250	125	144	31.8
67	SG1270B	127	145.7	33
68	SG1270A	127	141	29
69	SG1300	130	151	32
70	SG1355	135.5	154.5	28
71	SG1370	137	153.2	25.4
72	SG1420	142	156	25
73	SG1430B	143	160	27
74	SG1430A	143	156.2	26
75	SG1440	143	160	27
76	SG1460	146.5	171.5	38
77	SG1480	148.5	170.8	31.5
78	SG1500C	150	171.7	40
79	SG1500B	150	171	32
80	SG1500A	150	167	28
81	SG1530	153	171.5	28
82	SG1540B	154	173.5	32
83	SG1540A	154	168	26.4
84	SG1600	160	180	32

序号	型号	内径	外径	高度
85	SG1630	163	191	38
86	SG1631	163	191	46
87	SG1640	164	189	30
88	SG1650	165	183	29.8
89	SG1713	171.3	185.3	40
90	SG1720	171.5	194.5	29
91	SG1750	175	194.5	28
92	SG1770	177	200	30
93	SG178AB	182.6	210	11.2
		178	200	19
94	SG1780B	178	200	36
95	SG1780A	177.5	200	32
96	SG1785	178.5	200.5	38
97	SG1820B	182	210	39
98	SG1820A	182	207	36
99	SG1825	182.5	210.3	46
100	SG1830	183	211	38
101	SG1890	189	205	28.4
102	SG1900	190	216	46
103	SG1910	191	210	28
104	SG192AB	192	215	16.5
		201	230	13.2
105	SG1920B	192	215	33
106	SG1920A	192	209	30
107	SG1950	195	216.5	31.8
108	SG2000	28	228.5	38
109	SG2050	205	227	30
110	SG2087	208.7	222.8	26
111	SG2090	209	234	42
112	SG2160	216	237	30
113	SG2200	220	246	36
114	SG2200B	220	246	41
115	SG2200A	220	239.3	32
116	SG2215	221.5	241.5	25
117	SG2225	222.5	246	36
118	SG2230	223	251	37
119	SG2235	223.5	251	44
120	SG2250	225	253	37
121	SG2270	227.7	260.5	41
122	SG2310	231.6	259.6	38
123	SG2350	235	265	42
124	SG2380	238	261	32

序号	型号	内径	外径	高度
125	SG2390	239	268	42
126	SG2400C	239	268	40
127	SG2400B	240	267	42
128	SG2400A	240	262.8	38
129	SG2420	242	262.8	40
130	SG2450	245	264.5	32
131	SG2460	247	269.5	40
132	SG249AB	250	277	22
		248	290	13
133	SG2500B	250	272.4	43.2
134	SG2500A	250	277	44
135	SG2520	252	280.5	38
136	SG2560	256	279	36
137	SG2600	260	288	40
138	SG2600A	260	288	40
139	SG260AB	209	234	21
		216	260	13.5
140	SG2650	265	293	38
141	SG2730	273	300	38
142	SG2750	275	303	38
143	SG2800	280	310	40
144	SG284AB	250	277	22
		247	284	13
145	SG2940	294	328	40
146	SG2980	298	328	42
147	SG3000B	300	328	38
148	SG3000A	300	325	38
149	SG3180B	318	346.5	38
150	SG3180A	318	341	38
151	SG3187	318.7	347	46
152	SG3350	335	368	40
153	SG3400	338	368	40
154	SG3510	351	375	38
155	SG3550	355	375	38
156	SG3560	356	381	38
157	SG3660=3650	366	394	38
158	SG3700	370	398	38
159	SG3810	381	404.8	40
160	SG3870	387	415	38



序号	型号	内径	外径	胶圈	高度	适用机型
1	SG3870	387	415	419.5	38	VOLVO360, VOLVO290, 460, DH500, DX500
2	SG3810	381	404.8	412	40	PC/400, PC/400-5/6/7, PC300-3, PC450-6/7/8, R370-7另一款
3	SG3662	366	394	399.5	46	
4	SG3660=3650	366	394	400.7	38	SK300, 300-3; SH300, 340.350; E330BCD; EX350-5.400, 400-3/5, EX450-3, EX470; R290, DH280, 300, HD1430, 1880, ZAX470, ZAX360电喷
5	SG3560	356	381	389.5	38	R285, 290, 375, R370-7一款, DH420, 280, 300-5, 300-7, 370-7.
6	SG3400	338	368	375	40	PC/200-6(山推机型) E330B, 220-6, 300-6; DH/220-5; SK/200-3, 200-6E, EX400-1, PC220-6, E450, PC300-5/6/7, PC360-7, PC350-6-8, EX300(少部分), SK320-6, SK330, R260-5, DH215-7, 230-6摆线, 三一-335, LS350-5, SK350-8, SK350超8
7	SG3350	335	368	373	40	神钢/SK-330-6/8, DH370/420/420-7
8	SG3180	318	346.5	351.6	38	VLV210, E324/325, JCM921C, 众友921, 改版TM35总成 利物海乐914, 924, EC210B, 240B, DH225-9, R215-9, R215-7摆线
9	SG2980=3000	298	328	333	42	PC200-3/5, E240, ZAX360直喷 EX300-2/1/3/5; SK200, 200-5, 220-5, 230-6齿圈, 250-8, 330, E320B/C/D, E200B, HD820, HD700SEV; SH200, UH07-5, UH07-7, UH083; SH210-5电喷 ZAX330, EX300-5, PC150-5, C290, D60, DH300-7新款 SK07-2, SH280F, J2, DH220-7(摆线); HD700-5/7, H820-3, SK350-8, 三一-215, PC220-7, 凯斯210, 240, SH1, A2 玉柴230(KYB)
10	SG2940	294	328	333	40	PC200-7/8; 夏工822, HD-820-1/2, PC220-8, 210-8, SK250-8, PC160-7 山河智能230, 三一-210
11	SG284AB	250	277	284.6	22	PC/100-5, 120-5 齿圈; HD/400, 450-7; SK/100, SK100-1, LS2800F, HD770SELL, HD800SEV (SOME PART) HD900SEV(SOME PART)
		247	284		13	新款R215-7S
12	SG2820	282	314	320.5	40	
13	SG2800=2780	280	310	315.5	40	SK210-6E, SK/200-6E进口机; DH/225-7, DH258-5-7.
14	SG2750	275	303	308	38	EC240B(新款) SK200-7, SK/200-6;
15	SG2650(加高)	265	292	298.5	44	
16	SG2650	265	293	298	38	HD1250VII, HD800VII1250-7, 900-7/5, 220SEII; HD800-7, E311, E315, E331C, E-312, E120B 夏工/820; R200, 210, 220, 220-5-7, 215-7齿圈, 225-7, R260-5齿圈 DH225-7, DH230-7, DH220-3-7 SH265, 260, SK200-8, SK250超8 力士德210/DH210-7/SY210-8(第星)
17	SG260AB	209	234	242.6	21	HD700-2, HD40056-72, D60-12, HD700SEII, HD400SEV(单边) HD450-5, EX120-3, PC100-3, PC120-3
		216	260		13.5	
18	SG2600A=2620	260	288	298	40	神钢/SK210-8
19	SG2600	260	288	295	40	神钢/SK200-超8, SK260-超8
20	SG2500	250	277	284.6	44	EX/200-1; HD/800-5, 1250-5; R130, 众友913 R150, PC120-6(大机头), SH120, UH-081; HD400VII, HD850G, HD1220SEII; SK120-3, DH150-7, PC130-7 ZX110M ZX160-1 EX135-5
21	SG249AB	250	277	284.6	22	PC/100-6, LS120; SK/120, SK100-2, SH120, PC120-6(小机头), HD512
		248	290		13	
22	SG2460	247	269.5		40	
23	SG245AB	209	234	243.2	21	
		216	245		10.5	
24	SG2450	245	274	278	42	PC200-8混合动力
25	SG2410	241	262.7	274	39	DS150-9, 徐工135, 山河150, EC140
26	SG2400	239	268	277	40	PC200-8混合动力
27	SG2390	239	268	274.2	42	EX/200-2/3/5, EX220-2; LS2800,
28	SG2350	235	265	274.6	42	ZAX200-3电喷, 210-3, 240-3
29	SG2310	231.6	259.6	265	38	神钢/SK200-8一款
30	SG2270	227.7	260.5		41	
		225	253		18.5	YC85 (KYB)
31	SG225AB	222	254.7		11	
32	SG2250	225	253	258	37	PC120-5(摆线)
33	SG2235	223.5	251.5	257.2	46.4	HD/55
34	SG2230	223	251	256.6	37	ZAX/EX120-2, 100-5, D50; SH75, ZAX120-6
35	SG2200A	220	239.3	244.5	32	三一75的一款, TM18总成
36	SG2200(加高)	220	246	254.6	41	ZAX/EX/100, 110, 120-2, 120-5; SH/75
37	SG2200	220	246	256.5	36	ZAX/EX/100, 110, 120-2, 120-5; SH/75.

序号	型号	内径	外径	胶圈	高度	适用机型
38	SG2090	209	234	242.6	42	SH130-5, SK140-8, EC80
39	SG2050	205	227	231.2	30	PC60-7, 石川岛60, 玉柴85-7-8一款, SH75一款, 三一75-8-9, CAT307-308一款 久保田185, YC85, 柳工907, 柳工80
40	SG1920	192	215	220.8	33	R60; PC300-1/2; DH60, DH80, DH55, EC55; EX/70, ZAX55/70, SH60; HD250, E70, 临工65, 山河70/雷沃60.65KYB马达(9孔)
41	SG192AB	192	215	220.8	16.5	PC/60-5/6 E70B, PC/60-7(山推); SH/60, 160; SK60-1/2-3, DH55, PC1000, EX90; HD307, 250
		201	230		13.2	
42	SG1910	191	209.7	214.6	29	CAT306E
43	SG1890	189	205	211	28.4	E55, E60, ZAX60, GCB8052, CAT306, SK75, 玉柴65, 雷沃60.65KYB马达(12孔) 长野55 E305.5 玉柴开元60-7(KYB)
44	SG1825	182.5	210.3	215.4	46	
45	SG1820	182	210	215.2	39	CAT-229D, LC, 229, 231D-LC, 235.L PC200-1/2; EX60-1, EX75UR, EX60, D60, EX60-2
46	SG1780	178	200	210.6	38	PC/50, PC40, 山河智能50
47	SG1780A	177.5	200	204.1	32	雷沃60.65-7, 康迈尔马达
		182.6	210		11.2	
48	SG178AB	178	200	210.6	19	
49	SG1750=1760	175	194.5	200	28	玉柴60-8/SH山河70/SK55-C/福田雷沃60.65/三一65, 三一75(力士乐)
50	SG1720	171.5	194.5	200	29	SH山河70/SK55/福田60/三一75(力士乐), 龙宫60
51	SG1650	165	183	188.6	29.8	山河智能70, 玉柴60/60-6(帝人马达)
52	SG1631	163	191	196.8	46	
53	SG1630	163	191	196.4	38	
54	SG1600	160	180	185.6	32	PC40-9, PC55/56, 玉柴55.60开元60(不二越马达)久保田161, PC35-6(不二越500马达)
55	SG1540	154	168	171.6	26.4	SH山河40/玉柴35(KYB)
56	SG1500	150	171.7	179	40	
57	SG1480	148.5	170.8	176.8	31.5	PC30-7/8, PC35, YC35(不二越390) 原装铁片尺寸是151*171
58	SG1460	146.5	171.5	176.7	38	
59	SG1430	143	156.2	160.4	26	
60	SG1370	137	153	162.4	31	
61	SG1300	130	151	156.8	32	
62	SG1270	127	145.7	151	33	
63	SG1240	124	141.2	146	22	
64	SG1160	116	137	141.5	31	
65	SG1150	115	137	142.5	31	D6驱小, EX400支重轮
66	SG1100A	110	128	133	32	
67	SG1090	109	132.2	137.2	32	NEW PRODUCT 新产品
68	SG1042	104.2	121	126	23.4	
69	SG1039	103.9	117	122	22	
70	SG1020	102	122	127	33	
71	SG1010	101	120	125	30.2	
72	SG1000(1200)	100	120	124.2	32	
73	SG950	95	114	119.5	32	
74	SG940	94	107	112	21.8	
75	SG920(109)	92	109	114.2	22	
76	SG910(1100)	91	110	114.1	32	HD450引
77	SG900	90	105	107.5	26	
78	SG850	85	104	107	32	
79	SG810	80	100	105.5	29	PC100支
80	SG770	77	93.3	100.5	29	
81	SG746	74.6	93	100.1	30	
82	SG740	57.5	74	80.3	25	HD250支, D50
83	SG737	73.7	87	92	21.5	
84	SG730	73	92	96.5	32.5	
85	SG710	71.7	90	95.5	29	HD250引, A60, D50
86	SG640	64	78	84.3	25	
87	SG635	63.5	82.5	86.5	32.3	CAT-2M 285H/
88	SG560	56	70	76.2	25.5	
89	SG480	48	62	68.5	24.8	
90	SG450	45	58	61.6	21	
91	SG430	43	58.2	62.8	24	